



TRH Hanger System Product Guide

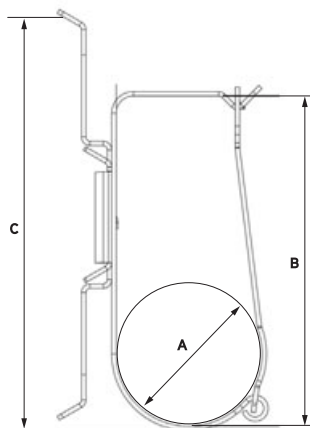
The TRH Hanger System provides a superior fit and finish to better meet contractor and engineer specifications. Simply squeeze tips together and the spring steel hanger can be secured or adjusted in seconds.



PART NO.	THREADED ROD DIAMETER	A	B	C
TRH-2 (PACK OF 10)	1/4" - 3/8"	1.28	3.12	3.82
TRH-3 (PACK OF 10)	1/4" - 3/8"	1.40	3.28	3.70
TRH-4 (PACK OF 10)	1/4" - 3/8"	2.40	4.17	5.00
TRH-5 (PACK OF 5)	1/4" - 3/8"	3.38	6.26	7.03

Features:

The TRH Hanger System supports a pair of insulated flow and return refrigerant lines on 1/4" to 3/8" threaded rod. Simply fold the lock-tab over to secure the lines into the strap. The spring steel hanger grips the rod tightly, and the black zinc coating offers corrosion resistance while matching the insulation color. The clamp can be detached from the rod hanger and used to secure lines to flat surfaces.



Works with 1/4" - 3/8" threaded rod

Supports a pair of insulated liquid and suction lines

Spring steel rod hanger can be fitted or adjusted in seconds

