



HYDRA-ZORB® STRUT MOUNTED CUSHION CLAMP ASSEMBLY

SUBMITTAL

Since their invention in 1966, our cushion clamps have been used in the Plumbing, Hydraulics, Pneumatics, HVAC/Refrigeration, Car Wash, Brewing/Paint Processing and Food Processing Industries. Hydra-Zorb® Cushion Clamps are ideal for any application where shock, vibration and corrosion are a problem.

Features:

- **UL Classified 2043 (25/50) for use in plenums and air handling systems**
- Clamps are 1008-1010 carbon steel
- Resist most fuels, oils, gases, greases, solvents, mineral acids and other harsh materials
- **Eliminate shock and vibration**
- Assembled or disassembled with a single hand or power wrench for fast and simple installation
- All metal components have a Tri-Valent (non-hex) plating
- **Available for 1/4" to 6-1/2" O.D. tube; 1/4" to 8" nominal pipe**
- Available in 304 and 316 stainless steel and aluminum (special order)
- Molded with high strength Thermoplastic Elastomer (TPE)
- Temperature rating: -65°F to +275°F
- **Made in USA**



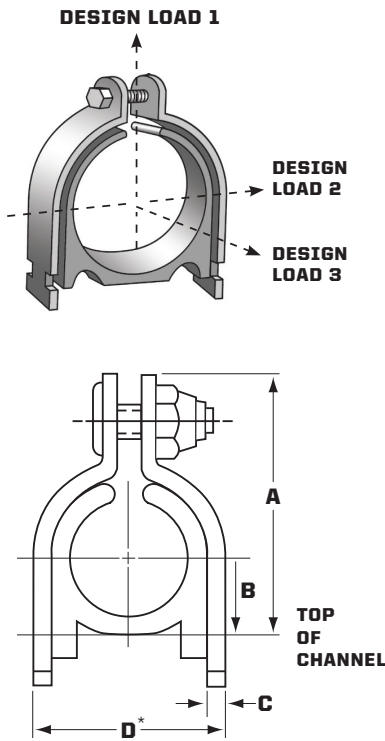
Hydra-Zorb® Strut Mounted Cushion Clamp assemblies include strut clamps with welded fastener, cushion and locknut.





STRUT MOUNTED CUSHION CLAMP ASSEMBLY

SUBMITTAL



For Hoses: Measure hose outside diameter and select nearest OD size.

Note: Torque specification provided upon request.

PART NO.	O.D.	LOAD 1	LOAD 2	LOAD 3	A	B	C	D
100025	1/4"	400	50	50	1.11	.22	.075	.62
100031	5/16"	400	50	50	1.24	.28	.075	.75
100037	3/8"	400	50	50	1.24	.28	.075	.75
100047	.47"	400	50	50	1.36	.34	.075	.87
100050	1/2"	400	50	50	1.36	.34	.075	.87
100062	5/8"	400	50	50	1.50	.41	.075	1.00
100075	3/4"	600	75	75	1.78	.53	.075	1.33
100087	7/8"	600	75	75	1.91	.58	.075	1.45
100100	1"	600	75	75	2.03	.66	.075	1.66
100112	1-1/8"	600	75	75	2.16	.72	.075	1.79
100119	1.19"	600	75	75	2.30	.72	.105	1.92
100125	1-1/4"	600	75	75	2.30	.78	.105	1.92
100137	1-3/8"	600	75	75	2.75	.91	.119	2.22
100150	1-1/2"	600	75	75	2.75	.91	.119	2.22
100162	1-5/8"	600	75	75	3.03	1.03	.119	2.47
100175	1-3/4"	800	125	125	3.03	1.03	.119	2.47
100187	1-7/8"	800	125	125	3.28	1.16	.119	2.47
100200	2"	800	125	125	3.28	1.16	.119	2.72
100212	2-1/8"	800	125	125	3.53	1.28	.119	2.97
100225	2-1/4"	800	125	125	3.78	1.41	.119	3.22
100237	2-3/8"	800	125	125	3.78	1.41	.119	3.22
100251	2-1/2"	800	125	125	4.03	1.53	.119	3.47
100262	2-5/8"	800	125	125	4.03	1.53	.119	3.47
100287	2-7/8"	800	125	125	4.28	1.65	.119	3.73
100300	3"	800	125	125	4.52	1.78	.119	3.97
100312	3-1/8"	800	125	125	4.52	1.78	.119	3.97
100337	3-3/8"	800	125	125	4.84	1.89	.119	4.09
100362	3-5/8"	1000	200	150	5.03	2.03	.119	4.47
100400	4"	1000	200	150	5.50	2.28	.119	4.80
100412	4-1/8"	1000	200	150	5.66	2.34	.119	5.09
100425	4-1/4"	1000	200	150	5.76	2.40	.119	5.21
100431	4-5/16"	1000	200	150	5.85	2.44	.119	5.27
100437	4-3/8"	1000	200	150	5.92	2.47	.119	5.33
100462	4-5/8"	1000	200	150	6.17	2.60	.119	5.59
100492	4.92"	1000	200	150	6.46	2.74	.119	5.88
100500	5"	1000	200	150	6.75	2.81	.119	6.25
100512	5-1/8"	1000	200	150	6.75	2.81	.119	6.25
100600	6"	1000	200	150	7.75	3.31	.119	7.50
100612	6-1/8"	1000	200	150	7.75	3.31	.119	7.50
100631	6-5/16"	1000	200	150	8.06	3.44	.119	7.71
100637	6-3/8"	1000	200	150	8.12	3.47	.119	7.77
100650	6-1/2"	1000	200	150	8.25	3.53	.119	7.90

PART NO.	NOM PIPE	LOAD 1	LOAD 2	LOAD 3	A	B	C	D
200025	1/4"	400	50	50	1.41	.63	.075	.91
200037	3/8"	600	75	75	1.59	.45	.075	1.07
200050	1/2"	600	75	75	1.91	.59	.075	1.45
200075	3/4"	600	75	75	2.16	.72	.075	1.79
200100	1"	600	75	75	2.75	.91	.119	2.22
200125	1-1/4"	800	125	125	3.03	1.03	.119	2.47
200150	1-1/2"	800	125	125	3.28	1.16	.119	2.47
200200	2"	800	125	125	3.78	1.41	.119	3.22
200250	2-1/2"	800	125	125	4.27	1.66	.119	3.72
200300	3"	1000	200	150	4.91	1.97	.119	4.36
200350	3-1/2"	1000	200	150	5.53	2.28	.119	4.97
200400	4"	1000	200	150	6.03	2.53	.119	5.47
200500	5"	1000	200	150	7.03	3.03	.135	6.47
200600	6"	1000	200	150	8.00	3.50	.330	7.62
200800	8"	1000	200	150	10.61	5.00	.250	9.36