



Titan® Insulation Riser Clamp Series

Specification Data for Insulated Tube and Pipe Clamping

Hydra-Zorb, the trusted manufacturer of Hydra-Zorb cushion clamps since 1966, is proud to launch the latest addition to our insulated clamping products. The patented Titan Riser is made to fit insulated pipe and create a clean vapor barrier on vertical pipe runs. Hydra-Zorb Titan riser will dramatically improve the fit and finish of insulated tube and pipe runs.

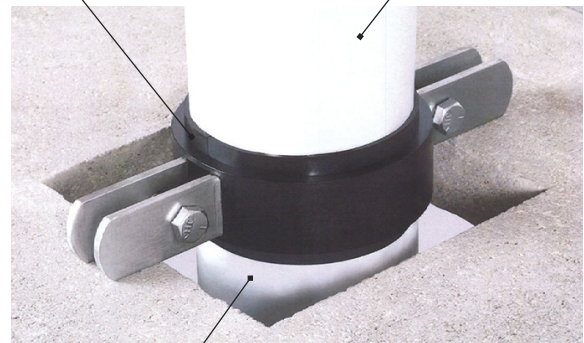
Key Features:

- **Made in USA**
- Crush resistant design
- **Superior vapor barrier**
- Dramatically improved finished appearance of insulated tube and pipe runs
- **Three times faster installation of insulation**
- Eliminates insulation compression
- **Available for 7/8" to 4-1/8" OD tube**
- **Insulation wall thickness for 1" and 1-1/2" OD**
- Molded with high strength TPO plastic
- **UL Classified 2043 (25/50) for use in plenums and air handling systems**



Riser clamp assembly secures and supports the weight of pipe or tubing

Upper floor insulation from above



Pipe or tubing and insulation through floor



1751 Summit Drive | Auburn Hills, Michigan 48326 | 248-373-5151

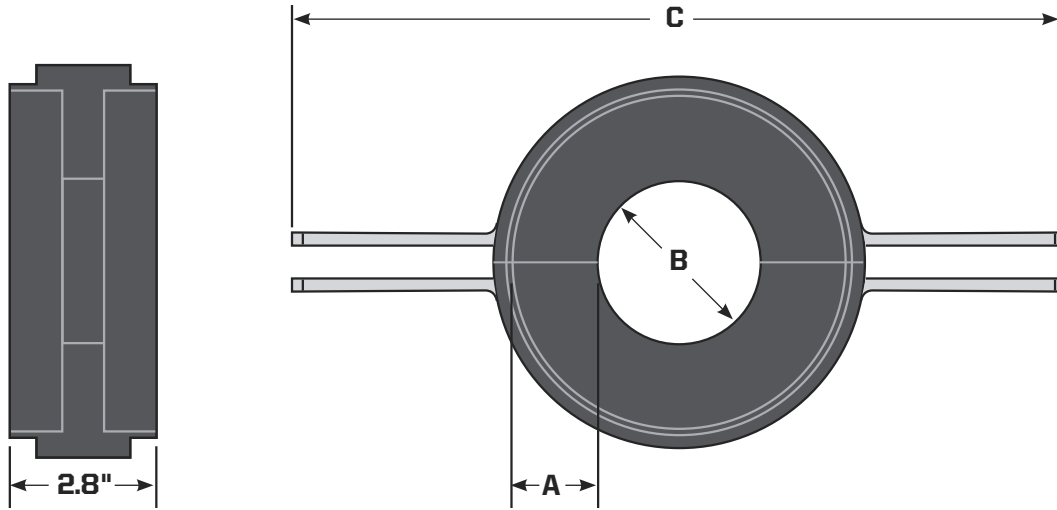


Hydra-Zorb.com





Titan® Insulation Riser Clamp Series



A	B	C	PART NO.	LOAD DATA
1" wall insulation	7/8" OD	10.125	R087100	75 lb
	1-1/8" OD	10.875	R112100	120 lb
	1-3/8" OD	11.500	R137100	150 lb
	1-5/8" OD	11.500	R162100	150 lb
	2-1/8" OD	11.500	R212100	190 lb
	2-5/8" OD	12.500	R262100	300 lb
	3-1/8" OD	12.500	R312100	300 lb
	4-1/8" OD	13.800	R412100	320 lb
1-1/2" wall insulation	7/8" OD	10.875	R087150	75 lb
	1-1/8" OD	10.875	R112150	120 lb
	1-3/8" OD	11.500	R137150	150 lb
	1-5/8" OD	11.500	R162150	150 lb
	2-1/8" OD	12.000	R212150	150 lb
	2-5/8" OD	12.000	R262150	300 lb
	3-1/8" OD	13.000	R312150	300 lb
	4-1/8" OD	15.625	R412150	300 lb



1751 Summit Drive | Auburn Hills, Michigan 48326 | 248-373-5151



Hydra-Zorb.com

