



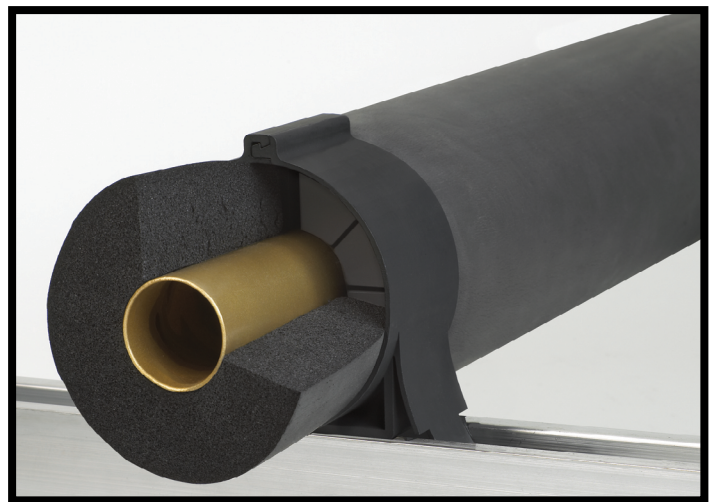
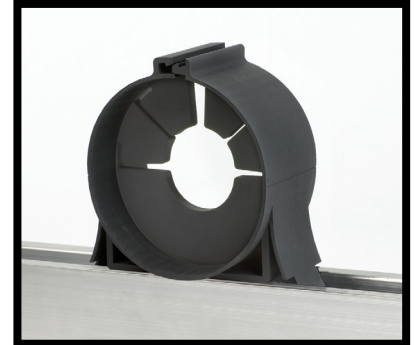
Klo-Shure® 8-Series Strut Mount Insulation Couplings

Product Guide

The patented Klo-Shure 8-Series Insulation Couplings allow insulated copper tube lines to be secured by inserting into the anchor channel and locking the top. No metal clamps needed.

Tubing supported and secured by internal part design. Insulation is to be inserted inside coupling with insulation contacting internal wall. Secondary operations are not needed.

Entire assembly can be assembled or disassembled with a single hand or power wrench.



Key Features

- UL Classified 2043 (25/50) for use in plenums and air handling systems.
- Superior vapor barrier at suspension points.
- Eliminates insulation compression.
- Single piece product
- Installs in seconds.
- Dramatically improved finished appearance of insulated tube runs.
- No metal clamps.
- Available for 1/2" to 2-5/8" O.D. tube.
- Insulation wall thickness sizes includes: 1/2"; 3/4" and 1".
- Molded with high strength Thermoplastic Olefin (TPO).
- Temperature rating: -60°F to +225°F

Use Recommendations

1. Coupling spacing should be no more than 60 diameters.
2. Install clamps as close as possible to each side of bend to prevent movement.
3. Keep conductor runs as straight as possible.
4. Overwrap of Klo-Shure coupling with insulation is not required.
5. Acceptable for horizontal installations only.

Klo-Shure 8-Series strut mounted parts include a single piece strut clamp and coupling made of TPO plastic. **For use with elastomeric insulation.**



UL Standard 2043, 2nd Edition:
"Fire Test for Heat and Visible Smoke Release
for Discrete Products and Their Accessories
Installed in Air-Handling Spaces."

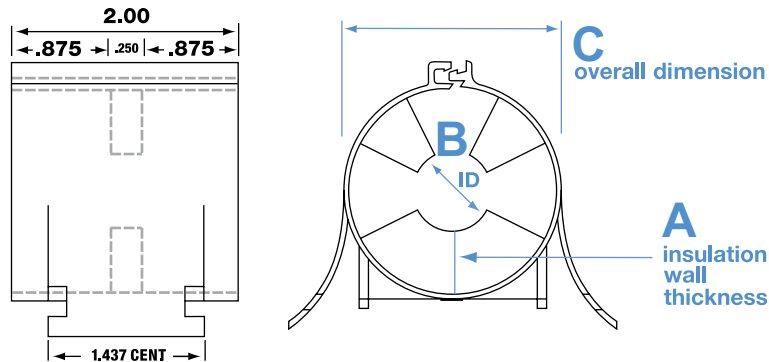
1751 Summit Drive ■ Auburn Hills, Michigan 48326 ■ (248) 373-5151

Hydra-Zorb.com



Klo-Shure® 8-Series Strut Mount Insulation Couplings

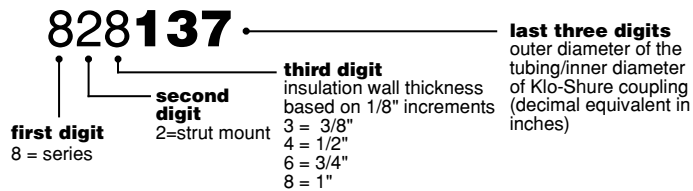
Product Guide



Part Numbering System

All Klo-Shure couplings consist of a 6-digit part number. The example below shows the breakdown of typical part numbers.

Part Number Example: The example below shows our numbering system for a strut mounted coupling for 1-3/8" tube with 1" wall insulation.



A	B* KLO-SHURE ID TUBE OD	C OVERALL DIMENSION	PART NO.
Klo-Shure 8-Series Strut Mounted Coupling for 1/2" wall insulation	1/2" OD	1.62	824050
	5/8" OD	1.75	824062
	7/8" OD	2.00	824087
	1-1/8" OD	2.25	824112
	1-3/8" OD	2.50	824137
	1-5/8" OD	2.75	824162
	2-1/8" OD	3.25	824212
Klo-Shure 8-Series Strut Mounted Coupling for 3/4" wall insulation	5/8" OD	2.25	826062
	7/8" OD	2.50	826087
	1-1/8" OD	2.75	826112
	1-3/8" OD	3.00	826137
Klo-Shure 8-Series Strut Mounted Coupling for 1" wall insulation	7/8" OD	3.00	828087
	1-1/8" OD	3.25	828112
	1-3/8" OD	3.50	828137
	1-5/8" OD	3.75	828162
	2-1/8" OD	4.25	828212
	2-5/8" OD	4.75	828262

***Note:** Klo-Shure ID equals copper tube O.D. Chart indicates coupling sizes currently available from Hydra-Zorb.