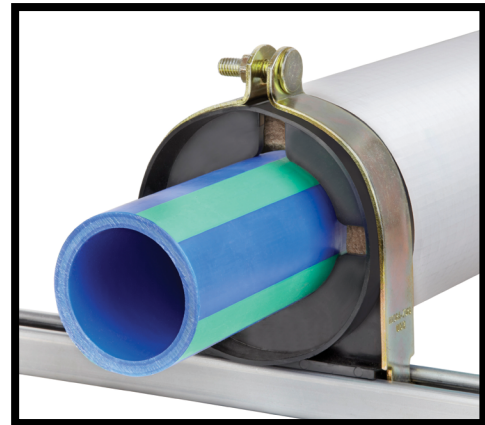
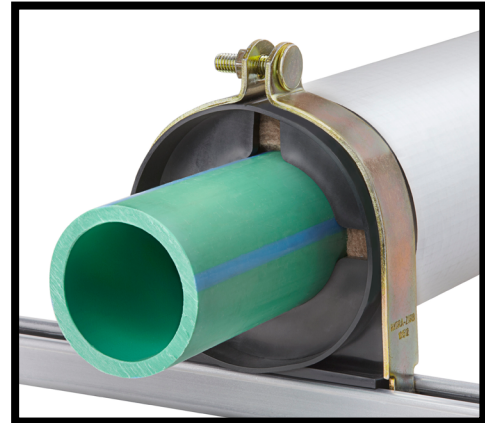




Klo-Shure® 9-Series Strut Mount Insulation Couplings for Metric Pipe

Product Guide

The patented Klo-Shure 9-Series Insulation Couplings supports and secures the copper tube or iron pipe independent of the insulation. The insulation is then inserted into the coupling to provide a superior vapor barrier to other methods. The weight of the secured member will not crush or tear the insulation over time.



Key Features

- UL Classified 2043 (25/50) for use in plenums and air handling systems.
- Superior vapor barrier at suspension points.
- Eliminate shock and vibration.
- Three times faster installation of fiberglass insulation than traditional methods.
- Dramatically improved finished appearance of insulated tubing.
- Eliminates insulation compression at suspension points.
- All metal components have a Trivalent (non-hex) plating.
- Available in 304 and 316 stainless steel.
- For use with strut mounted clamps.
- Available in metric sizes from 25mm to 110mm.
- Insulation wall thickness sizes from 1" up to 1-1/2".
- Molded with high strength Thermoplastic Olefin (TPO).
- Temperature rating: -60°F to +225°F

Use Recommendations

1. Coupling spacing should be no more than 60 diameters.
2. Install clamps as close as possible to each side of bend to prevent movement.
3. Overwrap of Klo-Shure coupling with insulation is not required.
4. Acceptable for horizontal, vertical, and inverted installations.

Klo-Shure 9-Series strut mounted parts include the Klo-Shure coupling, strut clamps with welded fastener and locknut.
For use with metric pipe.



UL Standard 2043, 2nd Edition:
"Fire Test for Heat and Visible Smoke Release
for Discrete Products and Their Accessories
Installed in Air-Handling Spaces."

1751 Summit Drive ■ Auburn Hills, Michigan 48326 ■ (248) 373-5151

Hydra-Zorb.com



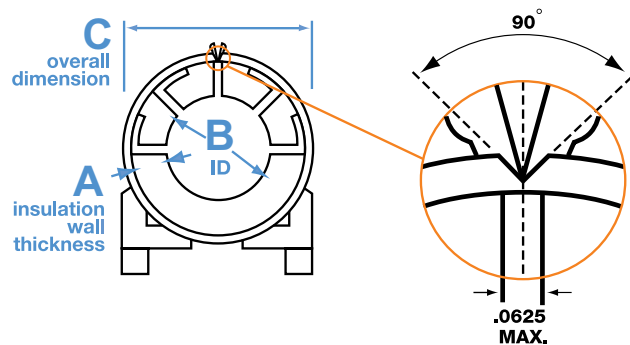
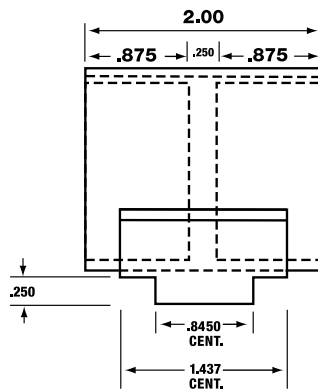
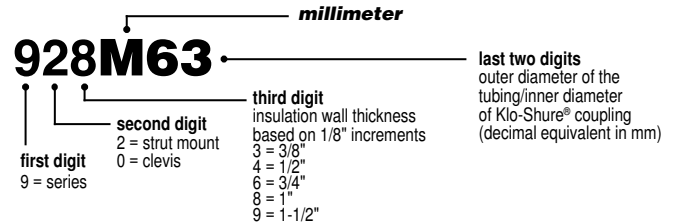
Klo-Shure® 9-Series Strut Mount Insulation Couplings for Metric Pipe

Product Guide

Part Numbering System

All Klo-Shure couplings consist of a 6-digit part number. The example below shows the breakdown of typical part numbers.

Part Number Example: The example below shows our numbering system for strut mounted coupling for 63mm pipe with 1" wall insulation.



A	B	C	PART NO.	QUANTITY PER BOX
Klo-Shure 9-Series Strut Mounted Coupling metric pipe sizes for 1" wall insulation	25mm	3.008	928M25	10
	32mm	3.638	928M32	10
	40mm	3.638	928M40	10
	50mm	4.138	928M50	10
	63mm	4.638	928M63	10
	75mm	5.138	928M75	10
	90mm	5.750	928M90	10
	110mm	6.870	928M110	10
Klo-Shure 9-Series Strut Mounted Coupling metric pipe sizes for 1-1/2" wall insulation	25mm	4.13	929M25	10
	32mm	4.63	929M32	10
	40mm	5.14	929M40	10
	50mm	5.14	929M50	10
	63mm	5.69	929M63	10
	75mm	6.87	929M75	10
	90mm	6.87	929M90	10