



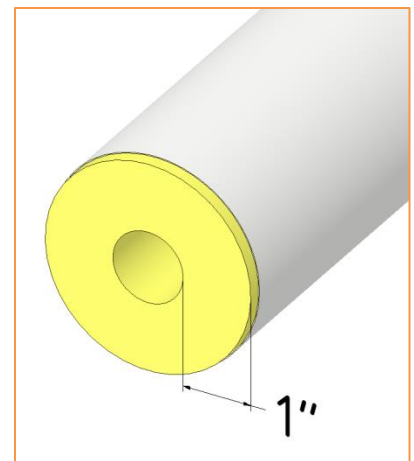
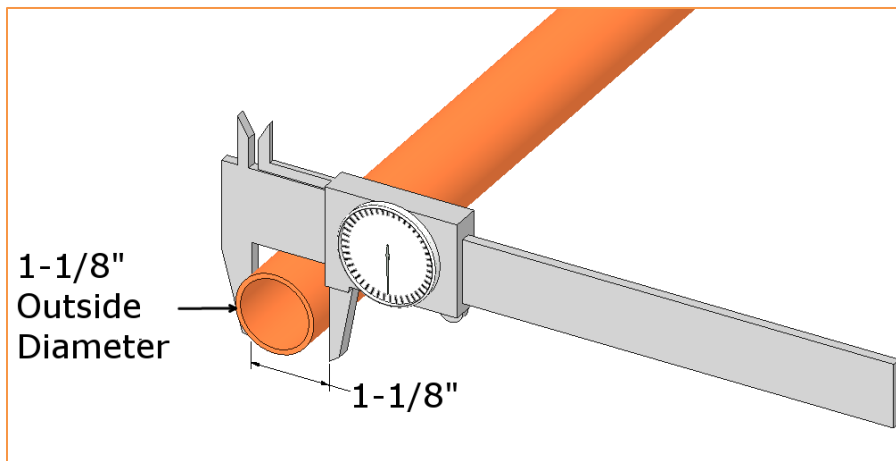
Insulated Coupling System



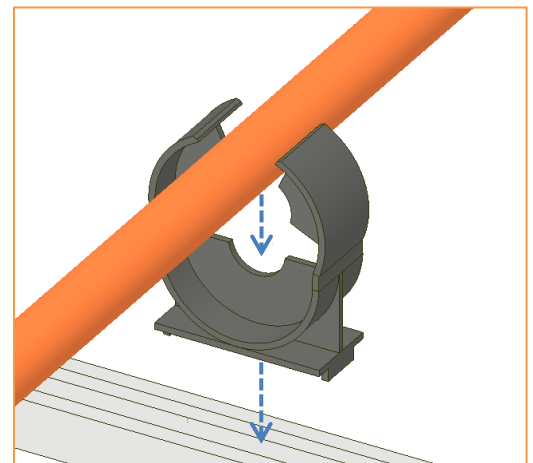
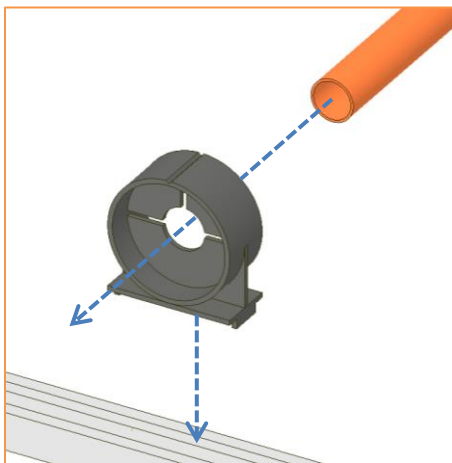
INSTALLATION GUIDE FOR INSULATED TUBE AND PIPE CLAMPING.

Acceptable for vertical and horizontal installations.

1. Determine correct size of nominal pipe (IPS), copper tube (outside diameter), or metric pipe (outside diameter). Determine insulation wall thickness (elastomeric or fiberglass).



2. Slide plastic coupling down pipe, or slice open with razor knife in grooved slot on top of part, and place around tube/pipe. Place on channel (any industry standard 1 5/8" wide).



Find us online: www.hydra-zorb.com



(248) 373-5151

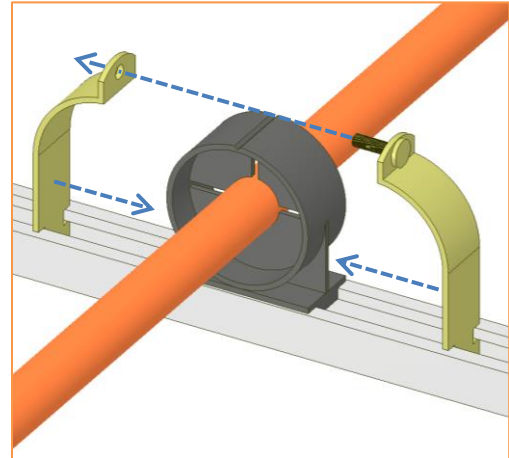
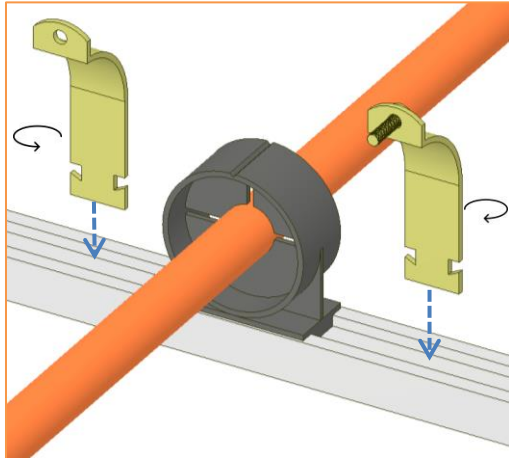
1751 Summit Drive – Auburn Hills, Michigan 48326



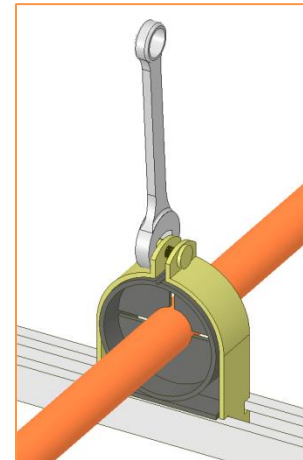
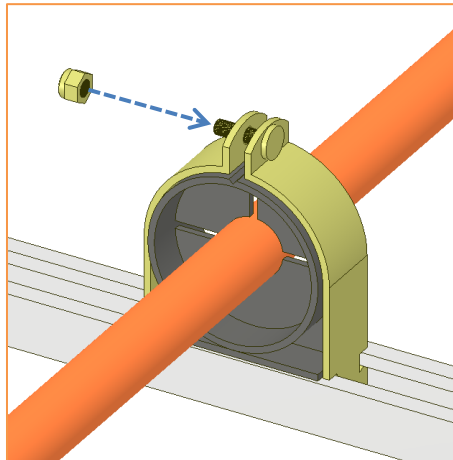
UL Standard 2043, 2nd Edition: "Fire Test for Heat and Visible Smoke Release for Discrete Products and Their Accessories Installed in Air-Handling Spaces."



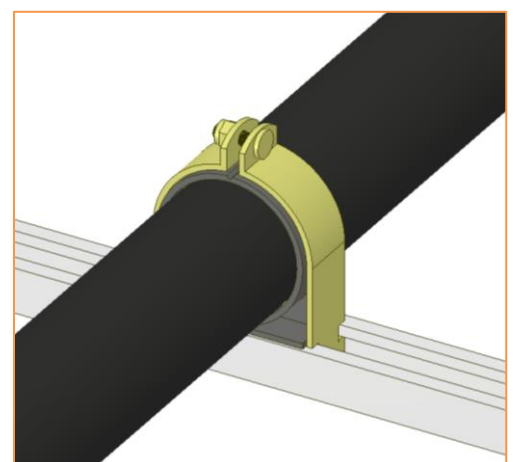
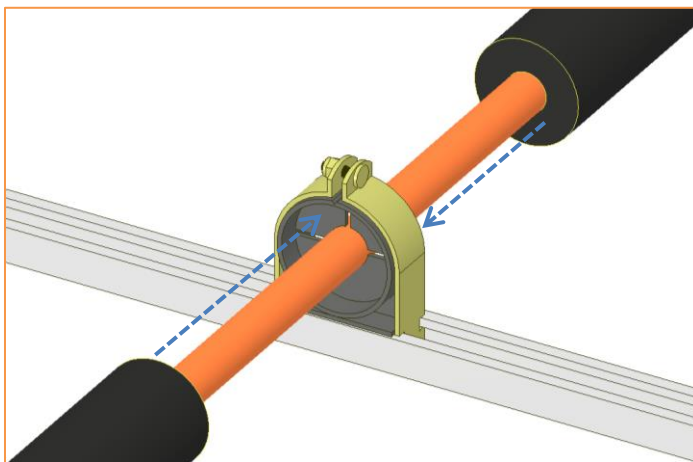
3. Place metal clamps in strut around Klo-Shure® coupling.



4. Thread locknut on stud and secure. Stud torque specification available upon request.



5. Insert insulation into Klo-Shure® pockets on both sides up to internal wall (MFG approved insulation adhesive on the ends of insulation is optional to further secure).



Find us online: www.hydra-zorb.com



(248) 373-5151 1751 Summit Drive – Auburn Hills, Michigan 48326

